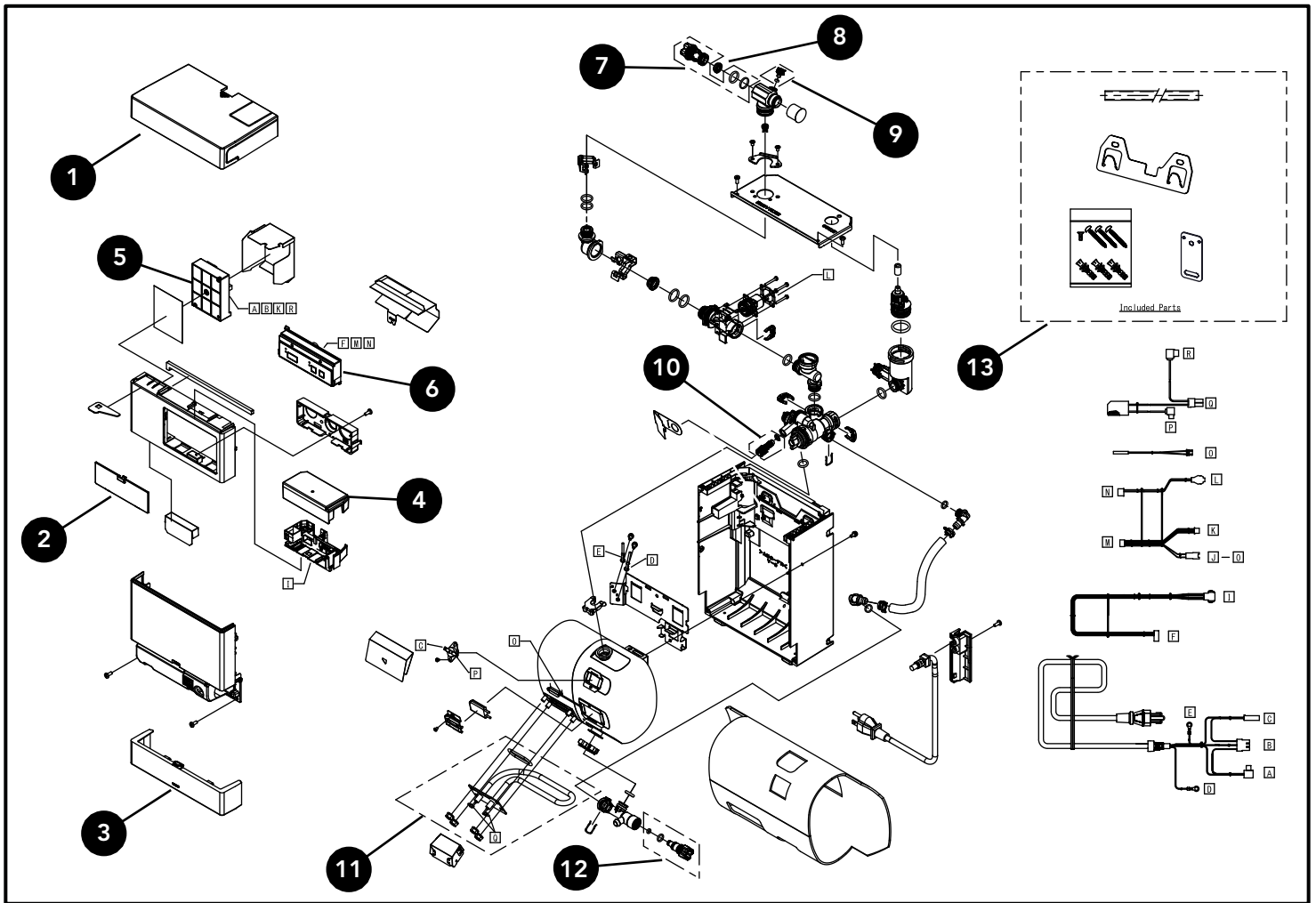


Touchless Faucet Controller with Heater



Item	Part	Description
1	THP5611	Top cover
2	THP5613	Control cover
3	THP5612	Bottom cover
4	THP5614	Connector box cover
5	THP5622	Power unit
6	THP5621	Controller unit
7	THP5615	Feed inlet filter and O-rings
8	THP5624	Flow regulator (0.5 gpm)
9	THP5617	Air intake valve and O-ring (for feed inlet)
10	THP5618	Air intake valve and O-ring (for thermostatic mixing valve)
11	THP5620	Heating element, nut (4 pc) and packing
12	THP5619	Drain valve and O-rings
13	THP5623	Included parts: - Mounting bracket - Anchoring plate - Countersunk tapping screw - Wood screws (3 pc) - Wall anchors (3 pc) - Drainage tube